

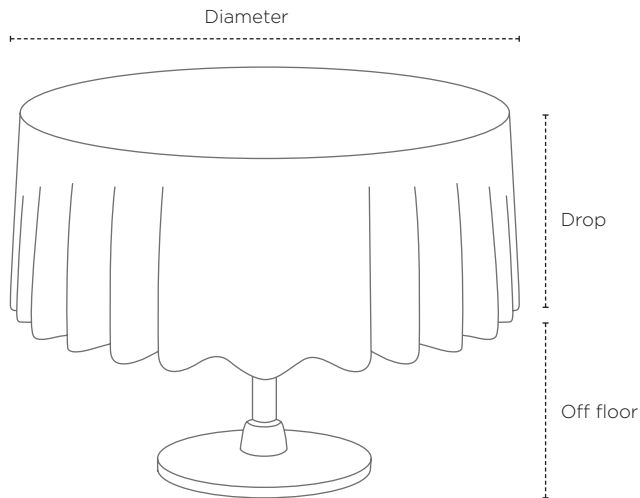


## SPECIAL OCCASION LINEN

# Table linen size guide

Please use our size guide to match the correct tablecloth and runner to any table you wish to dress. Whether it is a classic simple table setting or a lavish design you are after, it is important to order the right size to complete the look.

The height of a standard table is 30". Drop measurements are calculated from table edge down. We advise you start with your table size then decide on the drop length you require.



### Calculate the drop of your runner

Subtract the length of your runner by the diameter of your table and then divide this by two.

For example, a 120 runner across a 6' (72") table will have a drop of 25". (122-72 = 50, then 50/2 = 25).

### Special Occasion Linen

Netherton Road, Overross, Ross-On-Wye, Herefordshire HR9 7QQ

### Round tables

Table Dimensions	Cloth Dimensions	Drop	Off floor
<b>6' (72")</b> Seats 10-12	130" Round	29"	1"
	120" Round	24"	6"
<b>5'6" (66")</b> Seats 10	130" Round	Full drop, 2" trail	
	120" Round	27"	3"
	116" Round	25"	5"
	104" Round	19"	11"
	90" Round	12"	18"
	90x90"	12"	18"
	70x70"	2"	28"
<b>5' (60")</b> Seats 10-12	120" Round	Full drop, No trail	
	116" Round	28"	2"
	104" Round	22"	8"
	90" Round	15"	15"
	90x90"	15"	15"
	70x70"	5"	25"
<b>4' (48")</b> Seats 10-12	104" Round	28"	2"
	90" Round	21"	9"
	90x90"	21"	9"
	70x70"	11"	19"
	52x52"	2"	28"
<b>3' (36")</b> Seats 10-12	104" Round	Full drop, 4" trail	
	90" Round	27"	3"
	90x90"	27"	3"
	70x70"	17"	13"
	52x52"	8"	22"

### Useful Hint!

To convert inch measurements to centimetres, simply multiply the figure by **2.54**

### Runners are available in the following sizes:

Dimensions
12x122"
12x104"
12x90"
12x70"

www.specialoccasionlinen.com

info@specialoccasionlinen.com

0800 652 2205

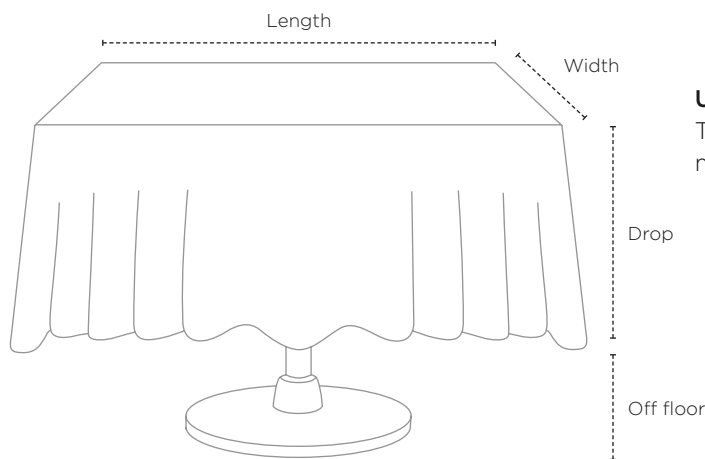


## SPECIAL OCCASION LINEN

# Table linen size guide

Please use our size guide to match the correct tablecloth and runner to any table you wish to dress. Whether it is a classic simple table setting or a lavish design you are after, it is important to order the right size to complete the look.

The height of a standard table is 30". Drop measurements are calculated from table edge down. We advise you start with your table size then decide on the drop length you require.



### Square and rectangular tables

Table Dimensions	Cloth Dimensions	Drop	Off floor
6' x 2'6" Seats 6-8	90x144"	30"x30" plus 6" trail	0", 6" trail
	70x144"	20"x30" plus 6" trail	10", 6" trail
	70x108"	20x18"	10x12"
6' x 2' Seats 6	70x144"	23"x30" plus 6" trail	7", 6" trail
	70x108"	23x18"	7x12"
4' x 2'6" Seats 4-6	52x70"	11x11"	19x19"
4' x 2' Seats 4-6	52x70"	14x11"	16x19"
3' x 3' Seats 2-4	90x90"	27"	3"
	70x70"	17"	13"
	52x52"	8"	22"
	35x35"	0"	0"

### Useful Hint!

To convert inch measurements to centimetres, simply multiply the figure by **2.54**

### Calculate the drop of your runner

Subtract the length of your runner by the length (or width, if this is your preference) of your table and then divide this number by two.

For example, a 122 runner spread lengthways across a 6' x 2'6" (72x30") table will have a drop of 25". (122-72 = 50, then 50/2 = 25).

### Runners are available in the following sizes:

Dimensions
12x122"
12x104"
12x90"
12x70"

### Special Occasion Linen

Netherton Road, Overross, Ross-On-Wye, Herefordshire HR9 7QQ

[www.specialoccasionlinen.com](http://www.specialoccasionlinen.com)

[info@specialoccasionlinen.com](mailto:info@specialoccasionlinen.com)

0800 652 2205